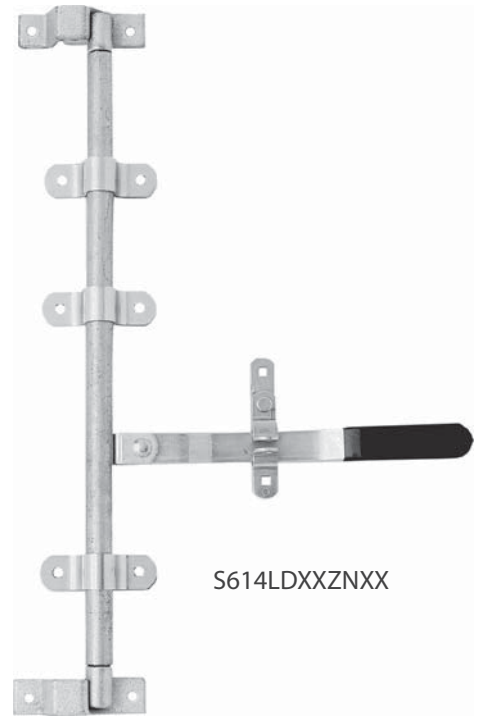
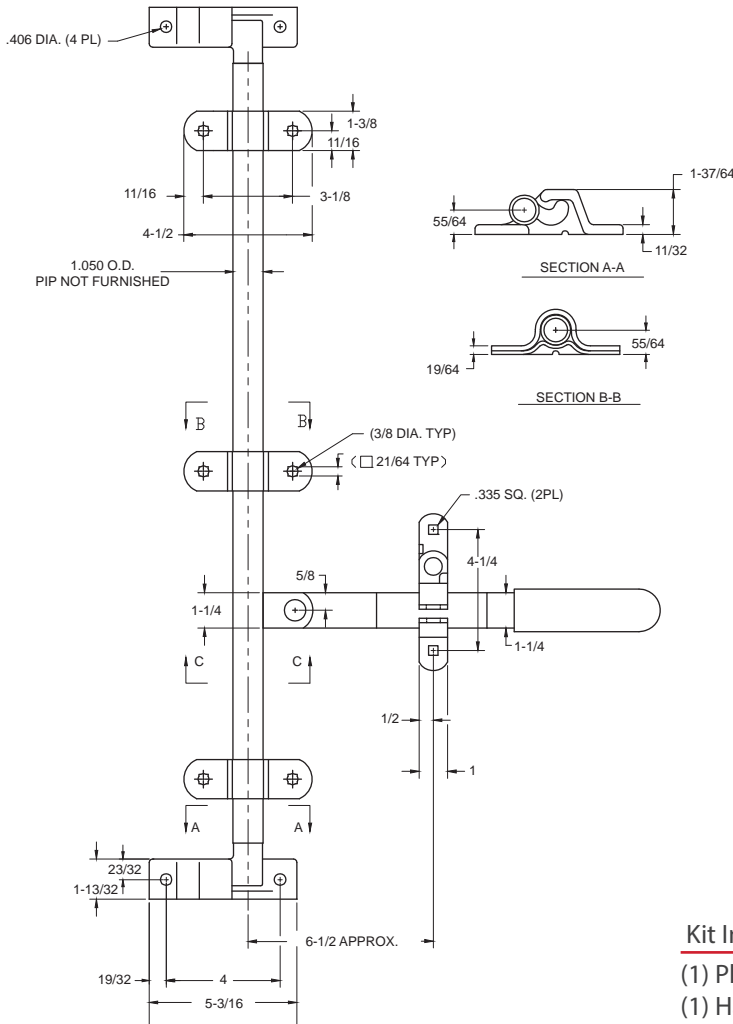


614 Series Cam Lock

Steel construction/zinc finish
 Available keepers with .335 square holes
 Available keepers with .406 DIA round holes
 Available as complete assembly w/ welded pipe

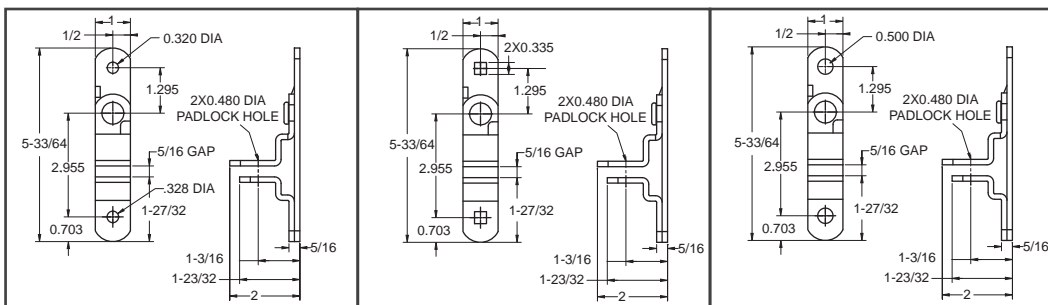


S614LDXXXNXX

Kit Includes

- (1) Plastic coated handle assembly w/weldment clip
- (1) Handle keeper assembly
- (3) Lower nylon brackets
- (3) Upper steel brackets
- (1) Right hand cam
- (1) Left Hand cam
- (1) Right hand keeper
- (1) Left hand keeper

Available Hasp Options



943673

943675

943676