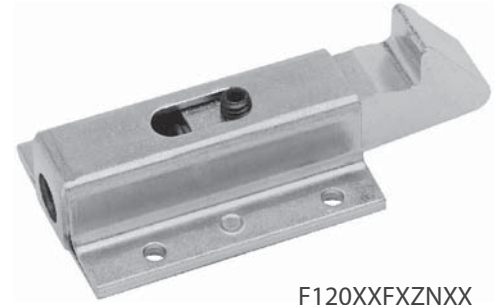


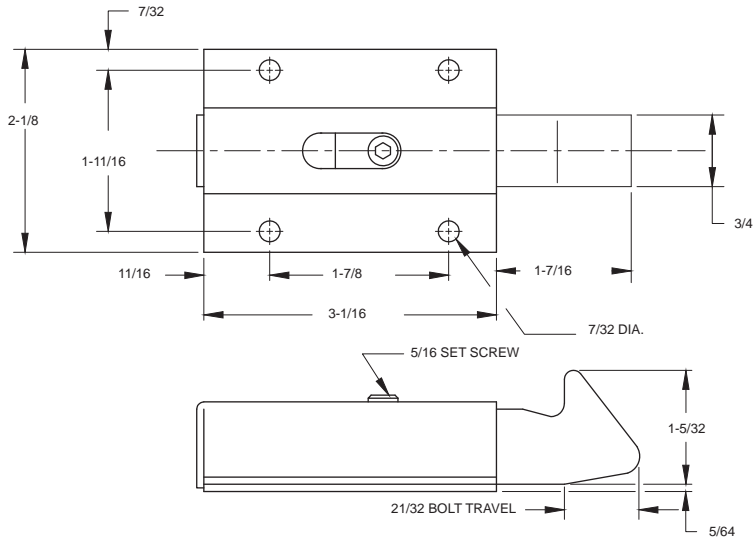
120 Flush Bolt

Steel construction/zinc finish
Accepts 1/4" rod, hook or cable eye
Available to accept 3/8" rod (must specify 114 bolt)



F120XXFXZNXX

Optional Cable Eye/Hook/Rod



120 Offset Bolt

Steel construction/zinc finish
Accepts 1/4" rod, hook or cable eye
Available to accept 3/8" rod (must specify 114 bolt)



F120XXOXZNXX

