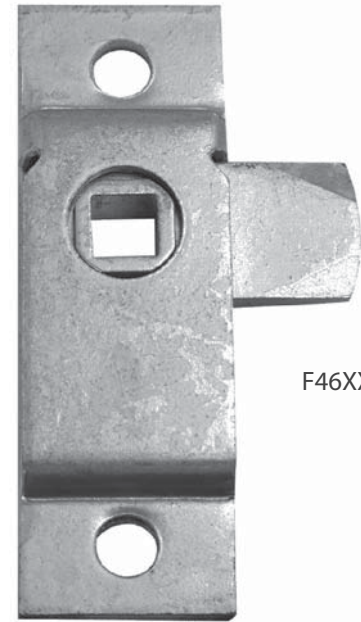
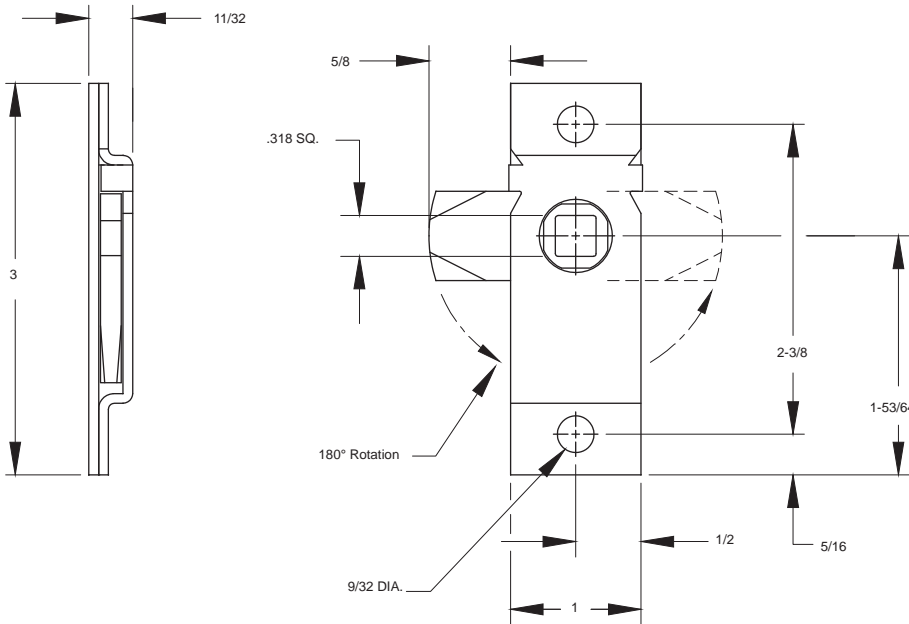


46 Series Compartment Latch

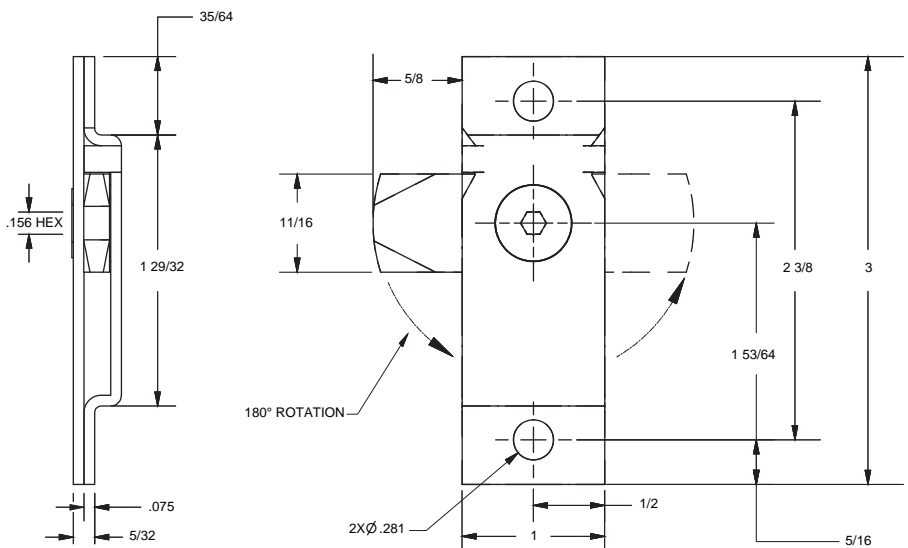
Steel construction/zinc finish
 Universal cam
 Available with handle (must specify handle direction)



F46XXXXXZNXX



S46XXXXXZN04



46 Compartment Latch

Steel construction/zinc finish
 Universal cam