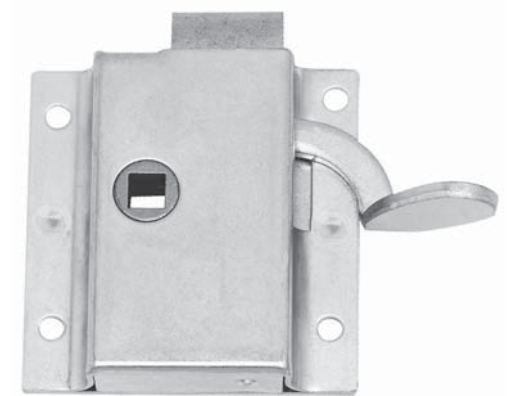
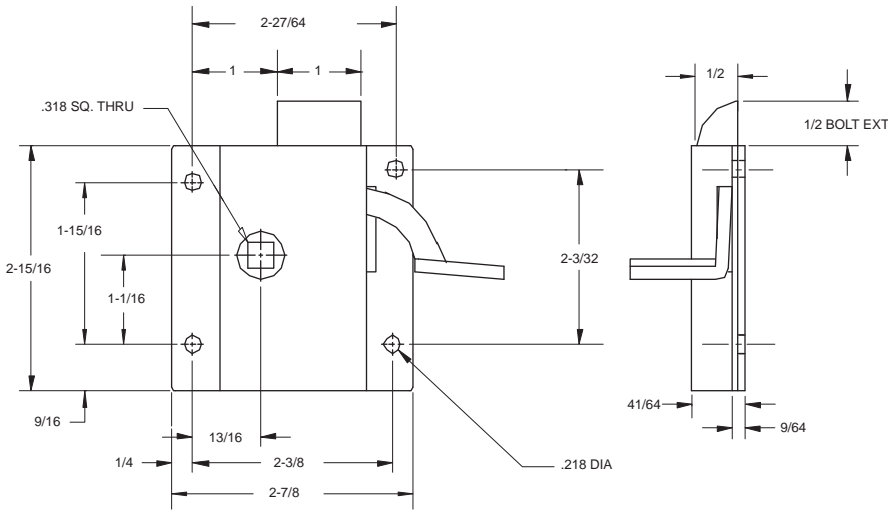


## 54 Cab Lock

Steel construction/zinc finish  
 Accepts 5/16" shank  
 Available with/without inside handle  
 Available left or right hand  
 Available with standard or reverse bolt (without handle)



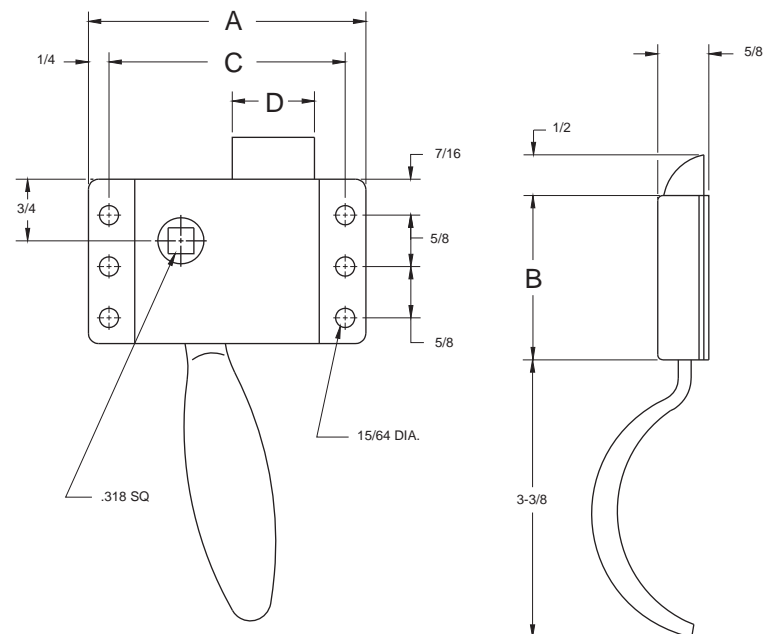
S54XXLXZNXX

## 55 Cab Lock

Accepts 5/16" shank  
 Available in stainless steel  
 Available in steel construction/zinc finish  
 Available in left or right hand  
 Available with or without mounting holes  
 Available with plastisol coating on handle  
 Available with heavy duty case



F55XXLSXXX



	A	B	C	D
55	3 3/8	2	2 7/8	1
55A	4 11/32	2 3/8	3 5/8	1 1/2

All Dimensions are in inches