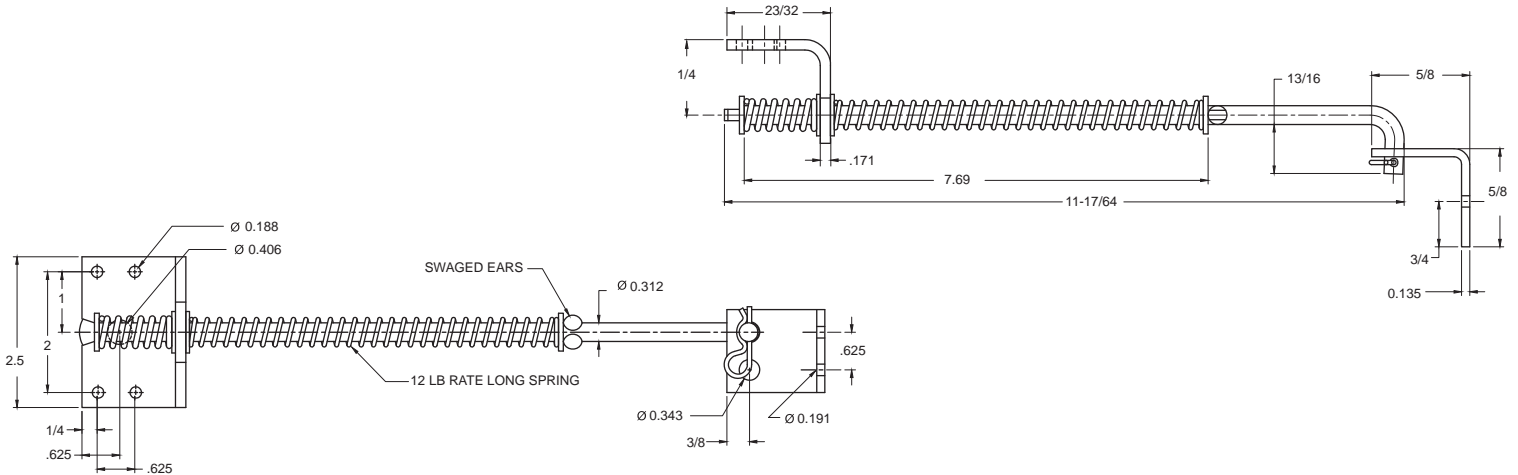


## 5-SC Door Check

Steel construction/zinc finish  
Available with 12 lb spring tension



S5SC-7XXZNXX



## 5-SM Door Check

Steel construction/zinc finish  
Nylon bushing  
Available with 12 lb spring tension



S5SM-7XXZNXX

