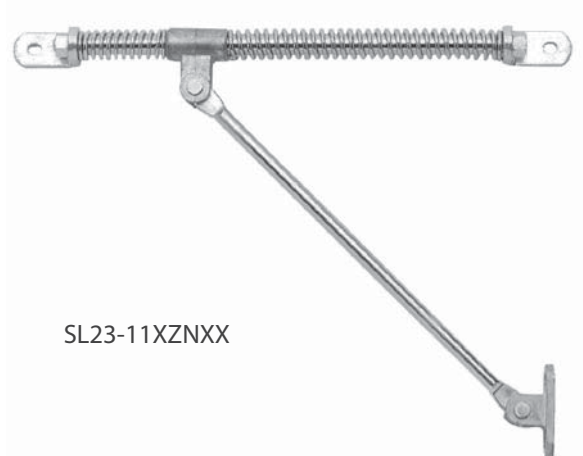


23 Door Check

Steel construction/zinc finish
 Zinc die cast end & slide brackets
 Available with 6", 7", 8", & 11" arm lengths
 Available with 15 lb, 30 lb, & 60 lb spring tension
 Available with stamped end bracket



SL23-11XZNXX

