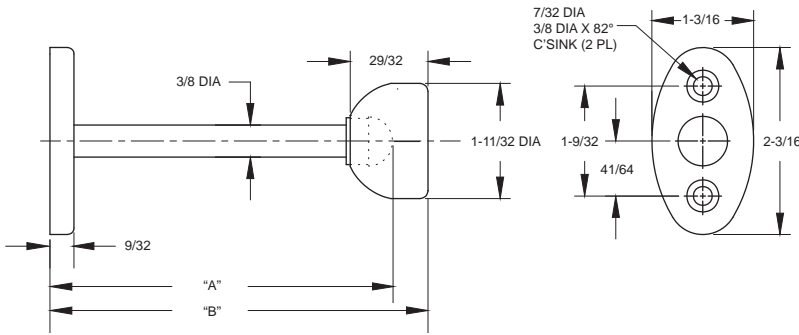


## 38 Door Holder

Steel/polymer construction/zinc finish  
 Available in lengths of 1-1/2" to 5-1/2"  
 Available in polished & unpolished stainless steel  
 Available with pivoting stem  
 Available with optional bend  
 (inquire for additional details)

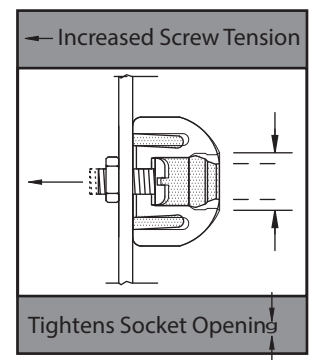
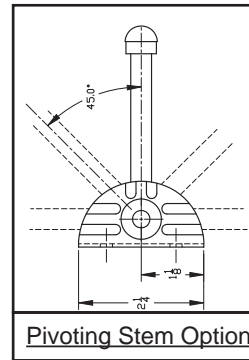


Description	"A"	"B"
38 - 1 1/2	61/64	1 7/16
38 - 2 1/2	1 61/64	2 7/16
38 - 3 1/2	2 61/64	3 7/16
38 - 4 1/2	3 61/64	4 7/16
38 - 5 1/2	4 61/64	5 7/16

All Dimensions are in inches

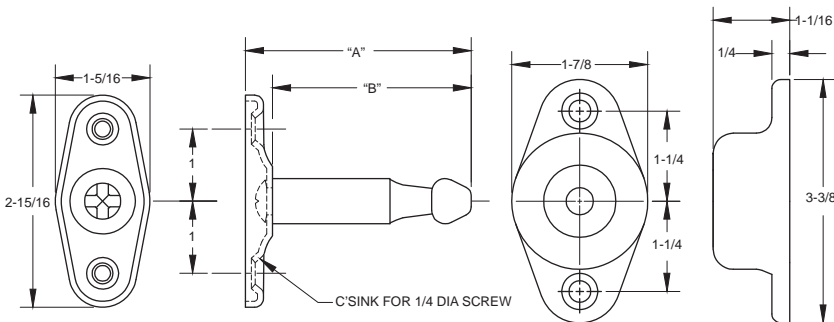


F38-2.5SEPXX



## SW-38 Door Holder w/Rubber Insert

Aluminum/rubber construction  
 Available in lengths of 1-1/4", 1-3/4", 2-1/4" & 2-3/4"  
 Available with 25-30 lb. or 55-60 lb socket  
 Available in steel/zinc construction



SW-754001-AL

Part Number	Description	"A"	"B"
SW-754000-AL	38-1-1/4	1-5/8	1-1/4
SW-754001-AL	38-1-3/4	2-1/8	1-3/4
SW-754002-AL	38-2-1/4	2-5/8	2-1/4
SW-754003-AL	38-2-3/4	3-1/8	2-3/4
SOCKETS			
SW-754004-AL		55-60 LBS	
SW-754005-AL		25-30 LBS	

All dimensions are in inches