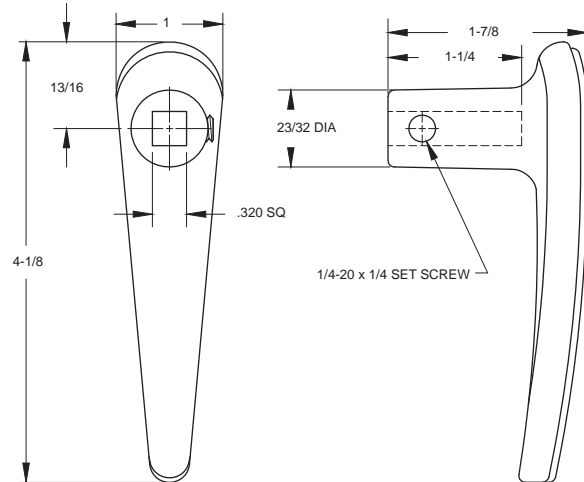


200 Inside Handle

Zinc die cast construction
Polished chrome finish
supplies with 1/4-20 set screw
Accepts 5/16" shank
Available with roll pin



S200XXXXCRXX



Padlocking Handle

Stainless steel construction
Polished and buff finish



222006

