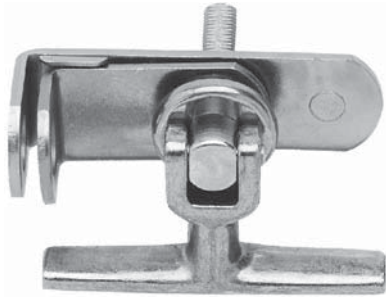
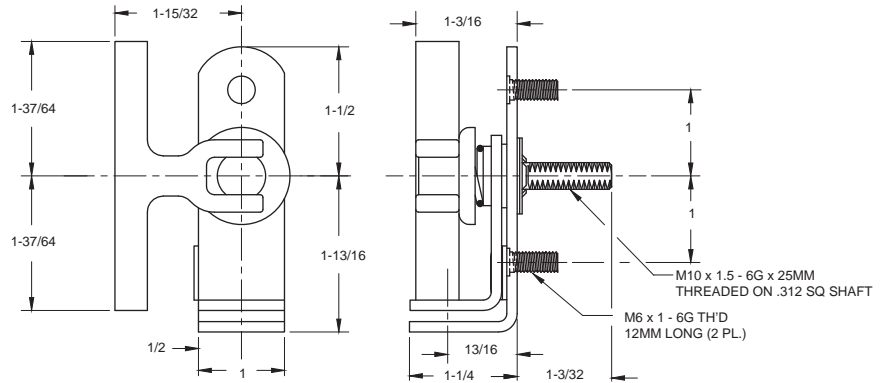


472-ST Padlocking Folding "T" Handle

Steel/die cast construction/zinc finish
5/16" square threaded shank
Blind mount threaded studs



S472SXXXZTCT



500 Inside Handle

Zinc die cast construction
Accepts 5/16" shank
Available with plain finish
Available with chrome finish
Available with set screw or roll pin



F500XXXXCRXX

