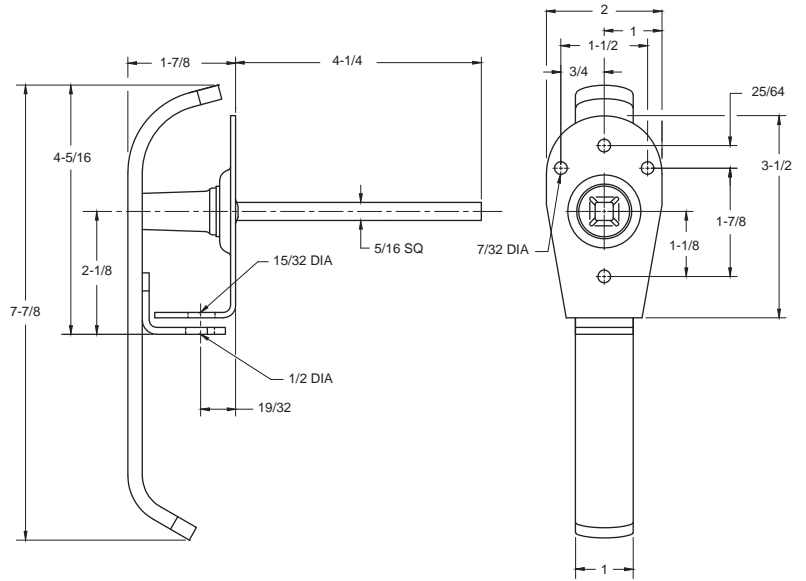


## 73-NS Series Padlocking Handle

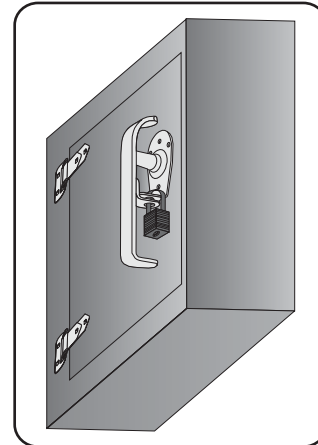
- Available with various handle styles (see below)
- Available in steel construction/zinc finish
- Available in stainless steel
- Available with various escutcheons (see below)
- Available with thru or blind mount
- Available with various shank lengths
- Available with 5/16" or 1/2" square shank
- Available with gasket



ZN-323454



ZN-323862



## Available Escutcheons & Handle Configurations



S73NSXXXZNXX



S73NS2XSSP02



S73NS3XXZN03



S73NS1XXZN02