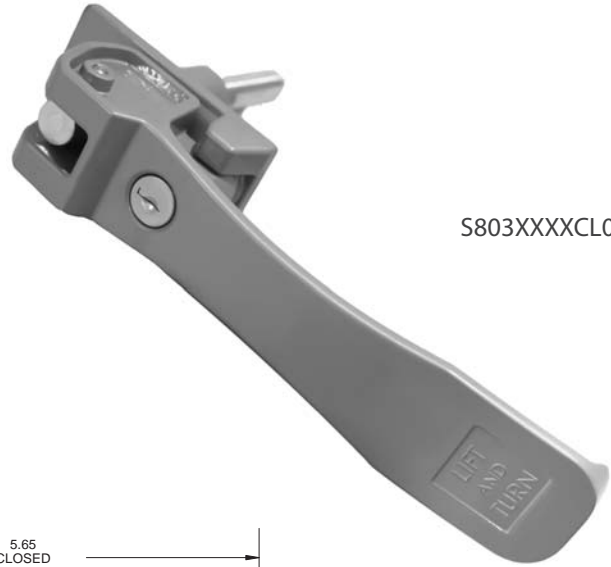


803 Locking Handle

Zinc die cast construction
Clear powder coat finish
Nylon washer
1/4" mounting holes
1/2"-20 threaded shank



S803XXXXCL01

