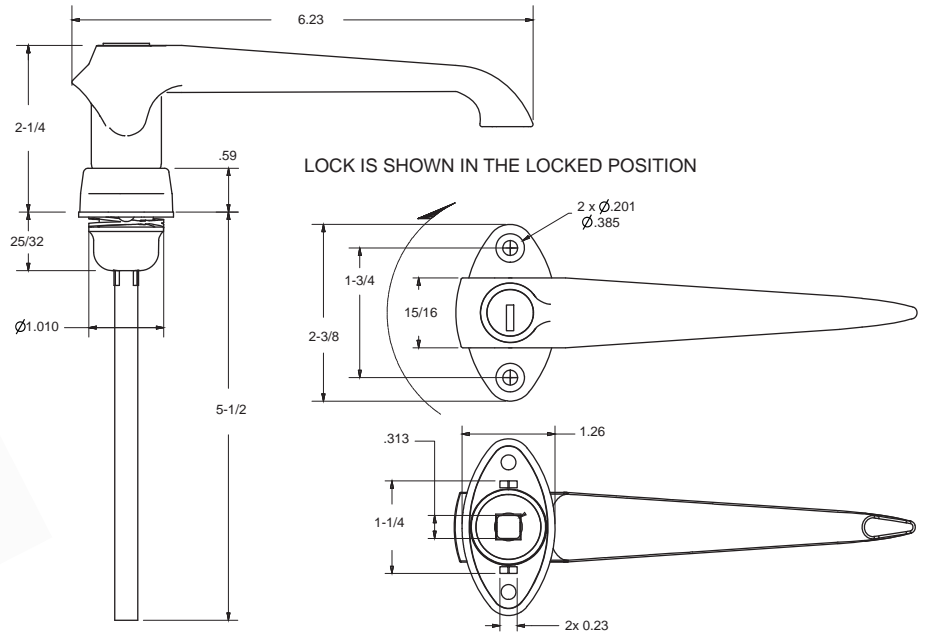


633 "L" Handle

Zinc die cast construction
Polished chrome finish
Neoprene gasket
360° unlocked rotation
4 locking positions at 90°
Available in non-locking



S98164AXCRXX



200 Series Handle

Zinc die cast construction
Polished chrome finish
360° handle rotation
Supplied with gasket
Supplied with 2 keys on a ring
Available in locking or non-locking
Available with optional escutcheons
Available with various shank lengths
Available with/without threaded shank
Available with blind mount, clockwise, counter clockwise escutcheons



F272.5XXCRXX

