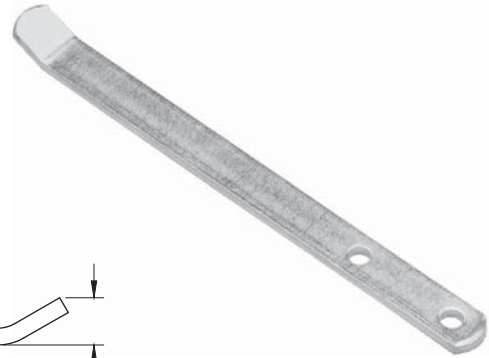
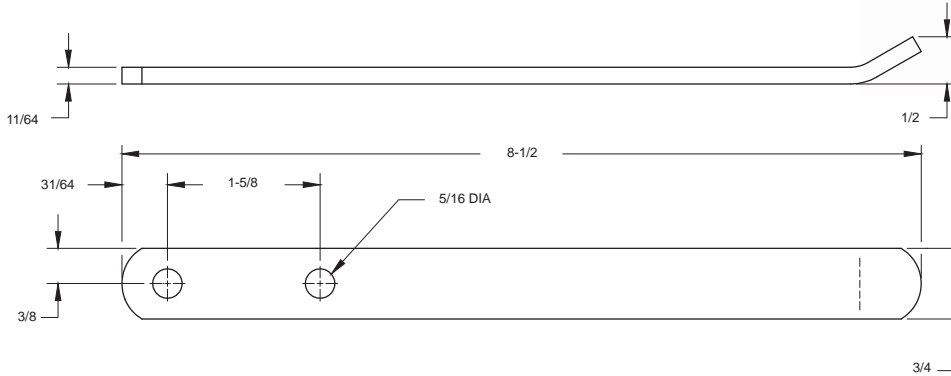


105 Inside Handle

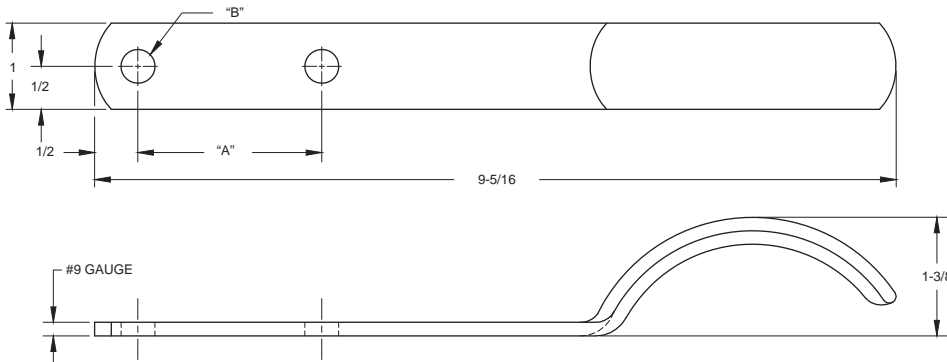
Steel construction/zinc finish
Use with center control models:
(105, 107, 114)



ZN-343736

311/105 Inside Handle

Steel construction/zinc finish
Use with center control models:
(105, 107, 111, 114, 311)



F311SHXXZNXX

"A"	"B"
1-5/8	17/64 DIA
1-5/8	21/64 DIA
1-5/8	3/8 DIA
1-49/64	21/64 DIA
2-9/64	25/64 DIA