

114 Slamming Kit

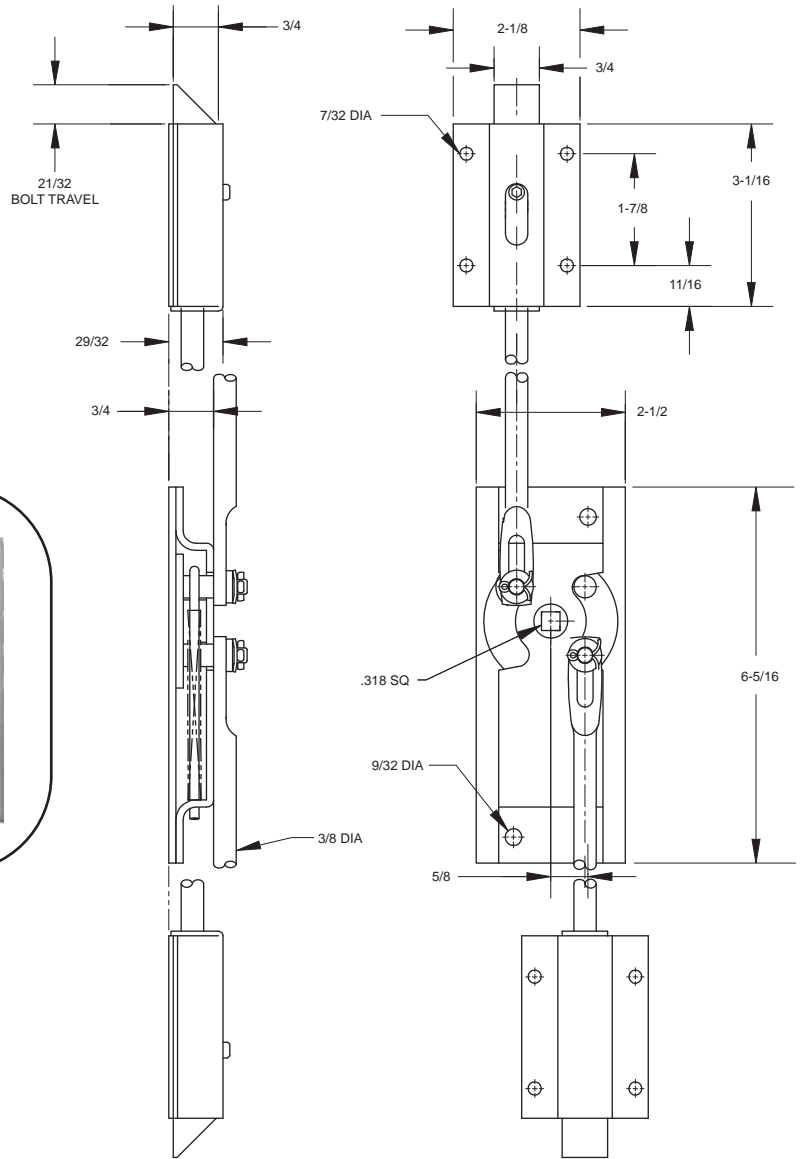
Steel construction/zinc finish
 (2) 114 36" rods
 (2) 90 bolts
 (1) washer kit
 Accepts 5/16" square shank
 Available with various rod lengths



114-KIT



Optional Center Control
114 with Override/Handle



Optional Slam Bolts Available for use with 114 Slamming Kit



120 FLUSH BOLT
(F120XXFXZNXX)



121 OFFSET BOLT
(S121SCOXZN01)