

450 Rotary Latch

Steel construction/zinc finish
 Left or right hand
 Includes 1 pt. actuator arm
 Available with various 1 pt. or 2 pt. actuators
 Available 1/4-20 threaded sleeves
 Striker sold separately



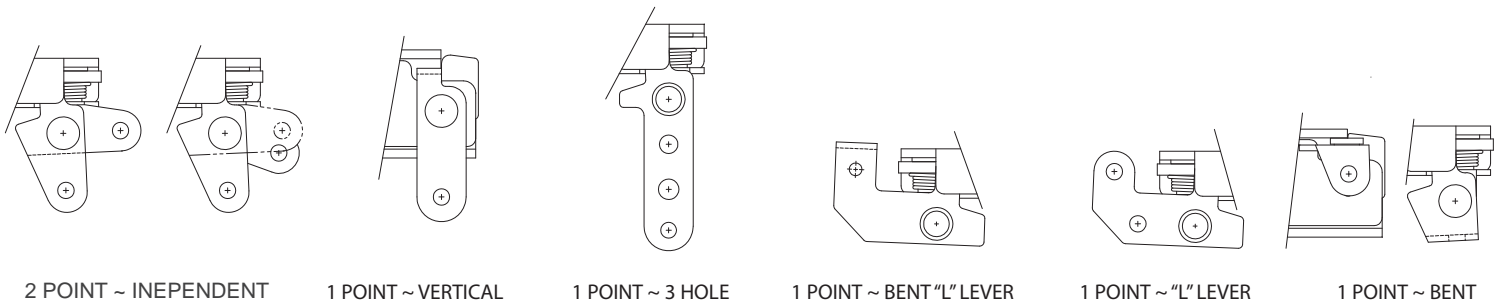
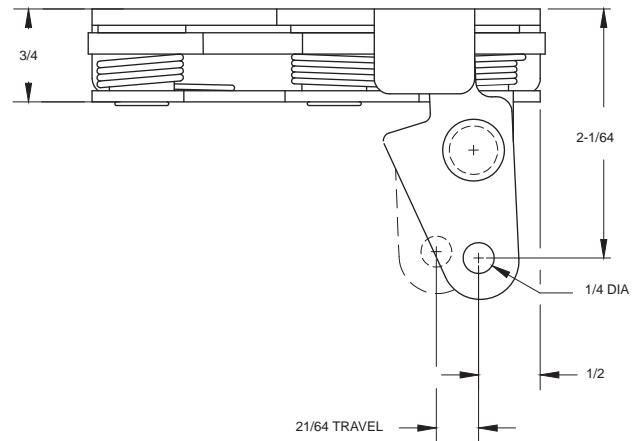
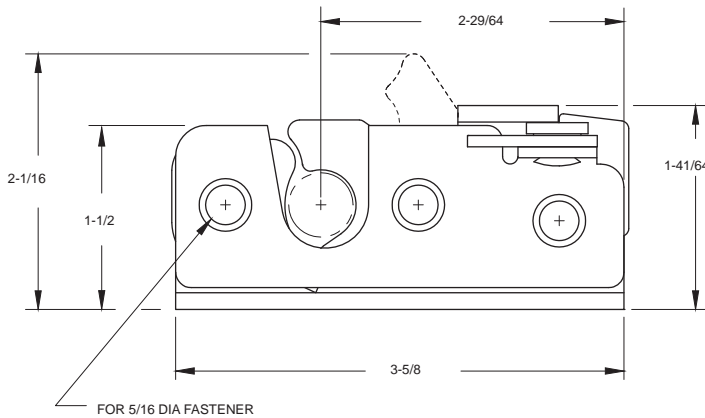
S4501XLXZNL



S450XXSXZNXX



S450HLSXZNXX



2 POINT ~ INDEPENDENT

1 POINT ~ VERTICAL

1 POINT ~ 3 HOLE

1 POINT ~ BENT "L" LEVER

1 POINT ~ "L" LEVER

1 POINT ~ BENT