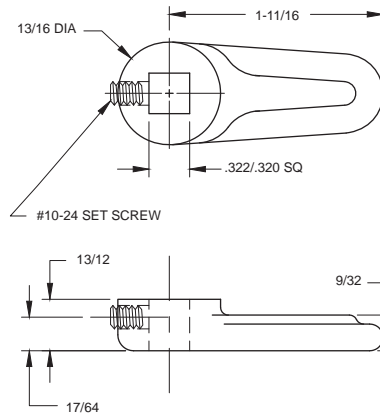


## C-15 Cam

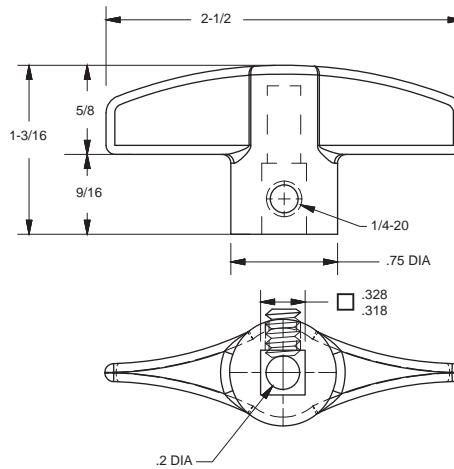
Zinc die cast construction  
Plain finish  
5/16" square hole  
Supplied with 10-24 set screw  
Available in 3" length, p/n 943023



SC15ACAM5/16

## 700 Inside Handle w/Set Screw

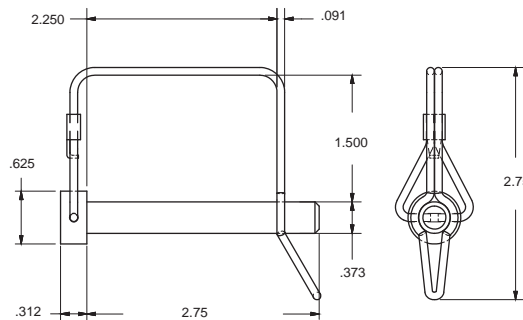
Zinc die cast construction  
Used with 5/16" square shank  
Supplied with 1/4-20 set screw



923200

## Tab Lock Pin

Steel/spring steel construction  
Zinc plated



263110