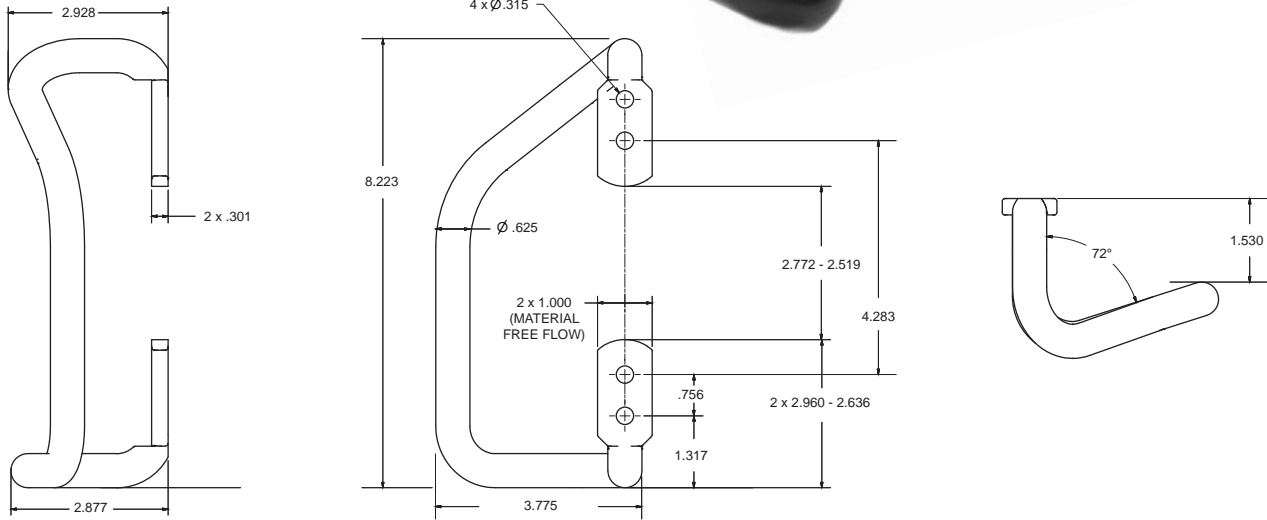


## Cab Grab Handle

Aluminum construction  
5/8" dia.  
Smooth black powder coat finish



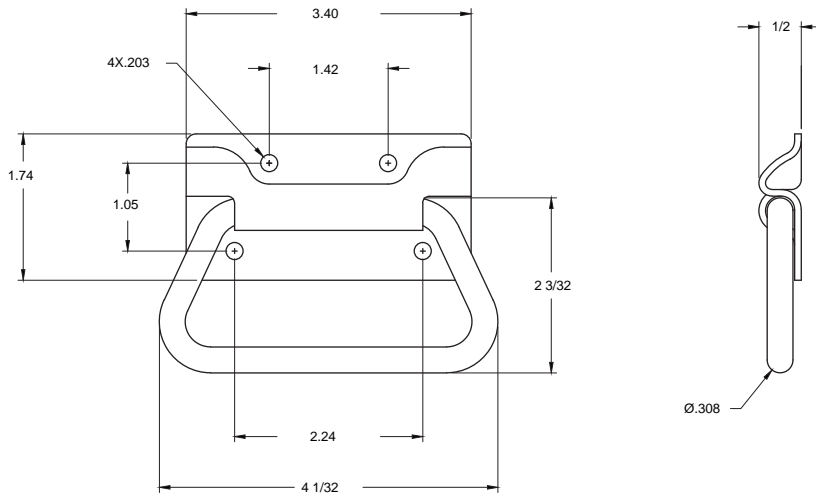
263801



## Chest Grab Handle

Steel construction/zinc finish  
Low 1/2" profile  
0.308" dia handle

NEED PHOTO



ZN-263381