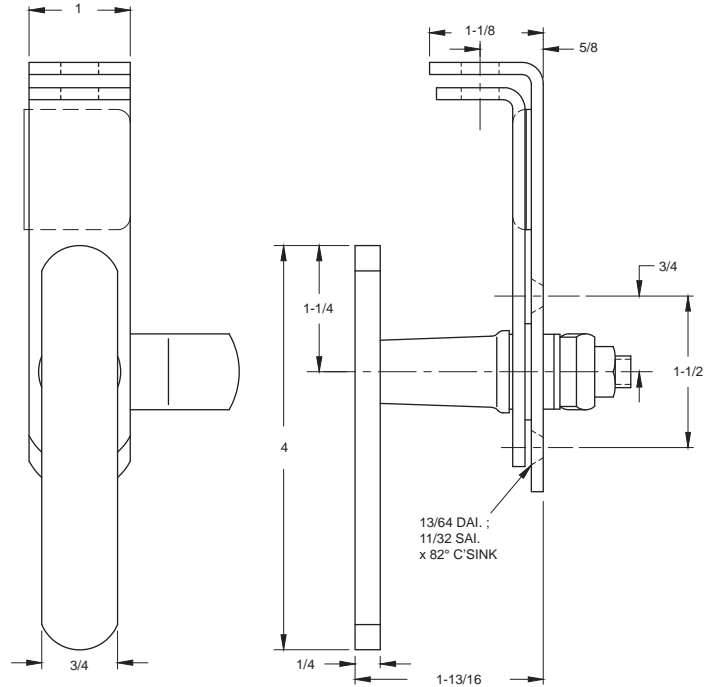


72-A Locking Handle W/Cam

- 5/16" square shank
- Available in steel construction/zinc finish
- Available in stainless steel
- Available left or right hand
- Available with 360° rotation
- Available with blind mount



S72AXXXZNXX



72-S Padlocking Handle

- 5/16" square shank
- 360° rotation
- Available in steel construction/zinc finish
- Available in stainless steel
- Available with blind mount
- Available with various shank lengths
- Available with/without threaded shank
- Available with 3/8" or 1/2" padlocking hole
- Available with gasket



S72SXXXXZNXX

