

250 Double Rotary Latch

Steel construction/zinc finish
Left or Right hand
Includes inside lock & handle
Striker sold separately

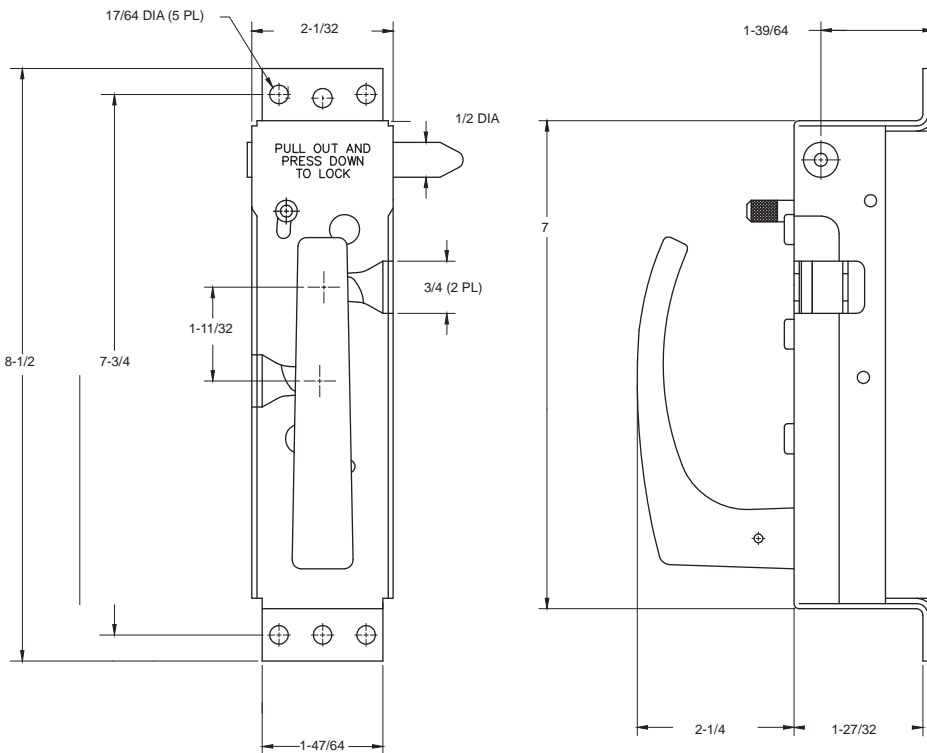


250-4 Striker

S2504XXXZNXX



S250XXLXZNXX



FMVSS
NOTICE

A. L. HANSEN MFG. CO.
PATENT