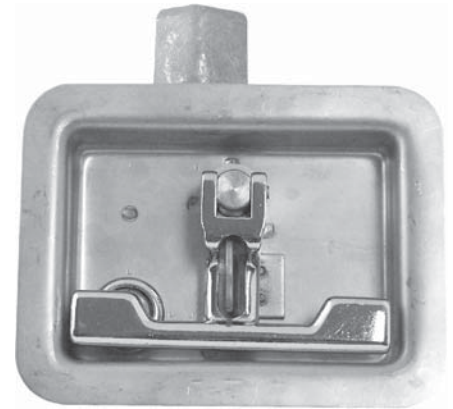
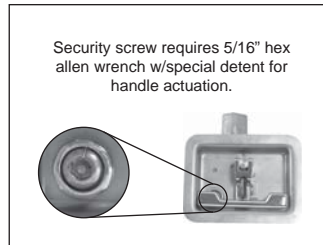
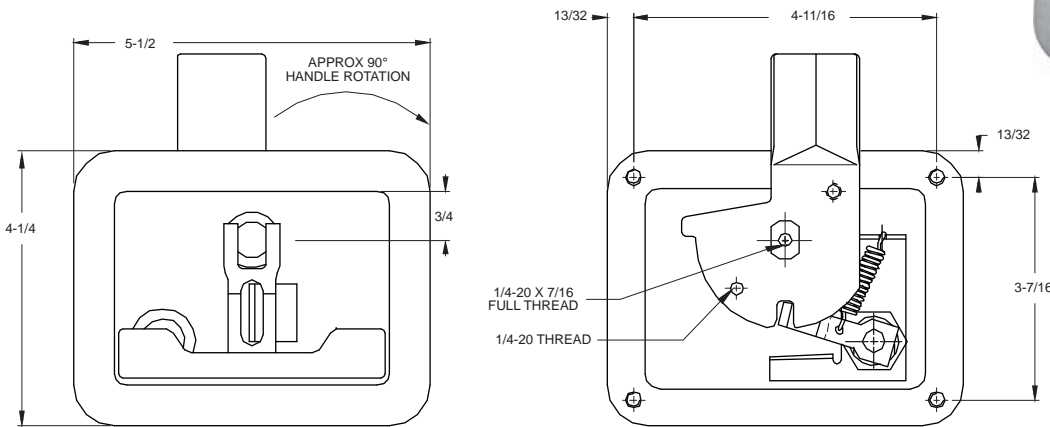


179 Padlocking Folding-T

Stainless steel construction
Steel 3-point cam, mechanical dyna kote finish
Zinc die cast handle w/chrome finish
Flush mounting



S179F-LSXXRE



4403 Locking Folding-T

polished stainless steel tray
Steel latch cam, commercial zinc finish
Zinc die cast handle
Automotive quality lock cylinder
Flush mount
Available with 2 or 3 point latch cam
Available with black powder finish
Available with zinc finish
Available with stainless steel handle



S4403XXSPB01

