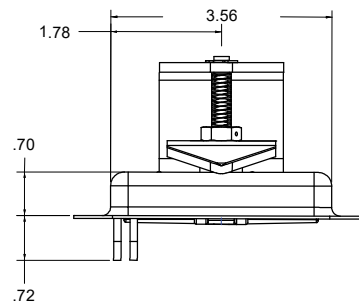
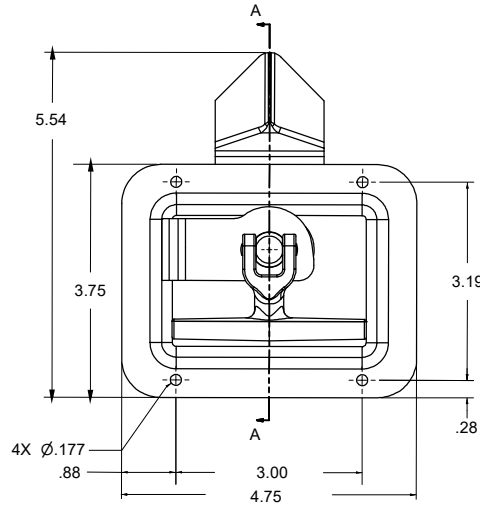
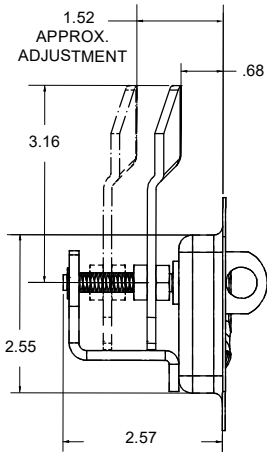


701 Padlocking Folding-T

Steel construction
Zinc die cast handle
Steel adjustable cam
Flush mounting

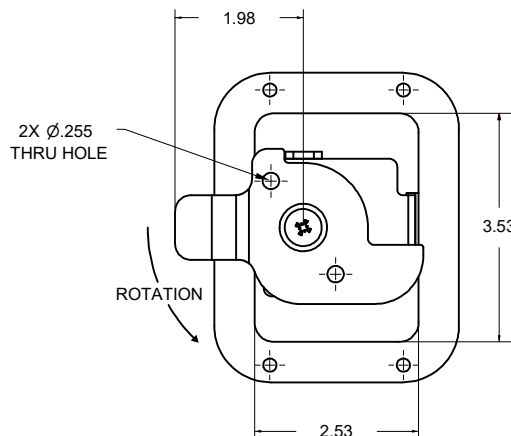
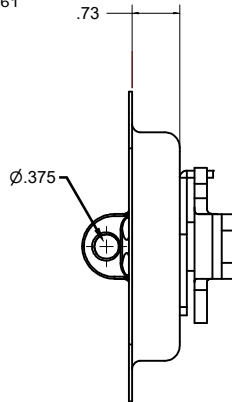
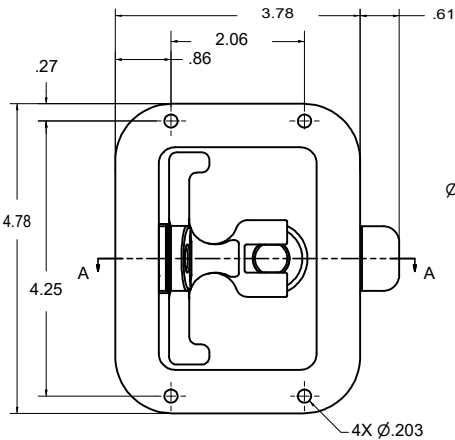


S701XXLXMBXX



402 Padlocking Folding-T

Steel construction
Zinc die cast handle
Flush mounting
Available with 1, 2 or 3 point latch cam
Available with various finishes



S402PXRHMGXX

